

Feature -

0.3A, 30 V DC for Power
1 pole & 2 poles circuitry

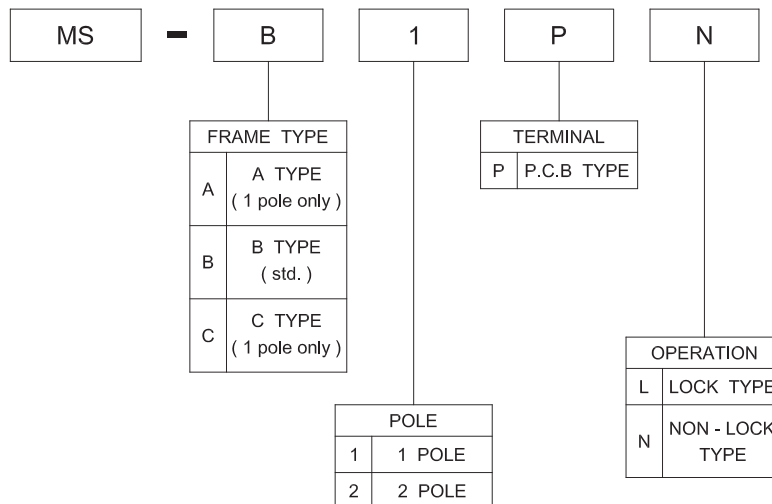
Application -

home electronic equipment
industrial electronic equipments
audio system
ADSL modem
wireless AP

► SPECIFICATIONS

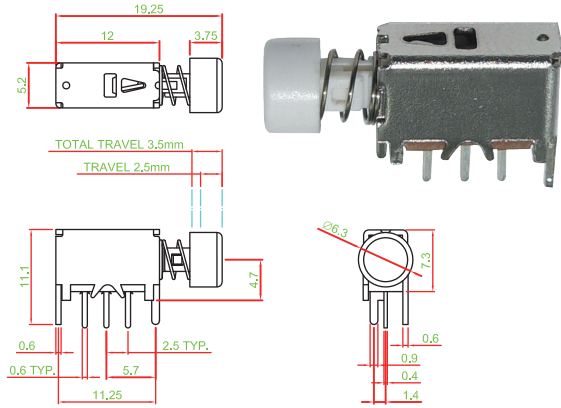
SWITCH SPECIFICATIONS	
POLE - POSITION	1P2T , 2P2T , Momentary and Lock Type are Available
CONTACT RATING	30 V DC , 0.3 A
CONTACT RESISTANCE	30 mΩ MAX. 1.5 V DC ; 100 mA , by Method of Voltage DROP
INSULATION RESISTANCE	100 MΩ MIN. 500 V DC
DIELECTRIC STRENGTH	Breakdown is not Allowable 500 V DC for 1 Minute
OPERATING FORCE	1P2T : 200 ± 100gf 2P2T : 250 ± 100gf
OPERATING LIFE	10,000 cycles
OPERATING TEMPERATURE RANGE	-20°C ~ 70°C
TOTAL TRAVEL	3.5 ± 0.3 mm

► HOW TO ORDER

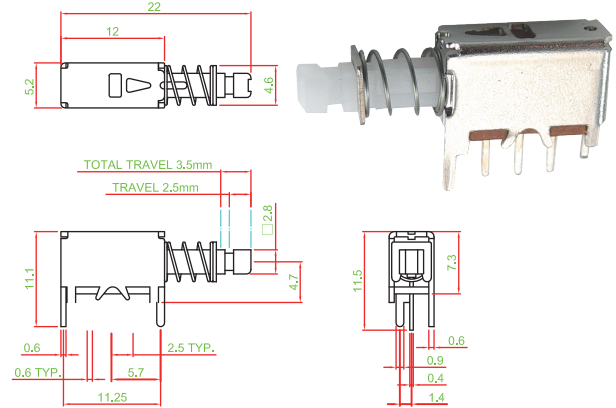


► DIMENSION

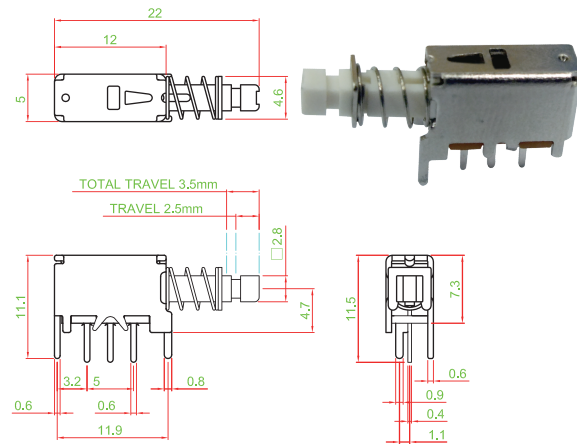
MS - A1PL



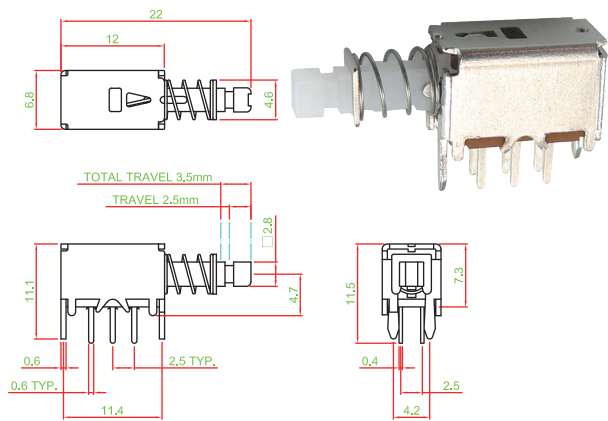
MS - B1PN



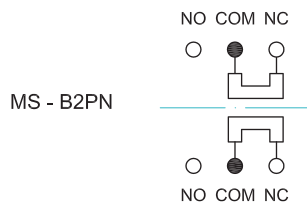
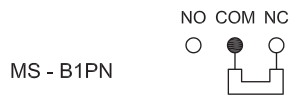
MS - C1PN



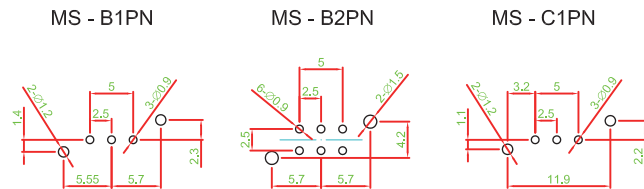
MS - B2PL



► CIRCUIT



► P.C.B LAYOUT



► MATERIAL

- ACTUATOR : PA + GF
- FRAME : STEEL PLATE
- TERMINAL : BRASS SILVER PLATING
- SPRING : STAINLESS STEEL